

FEATURES

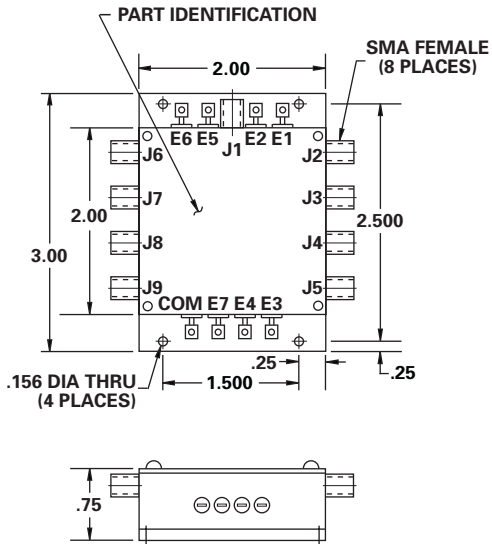
- DC - 200 MHz
- 50 Ω Terminations
- 25 Watt CW
- SMA Connectors



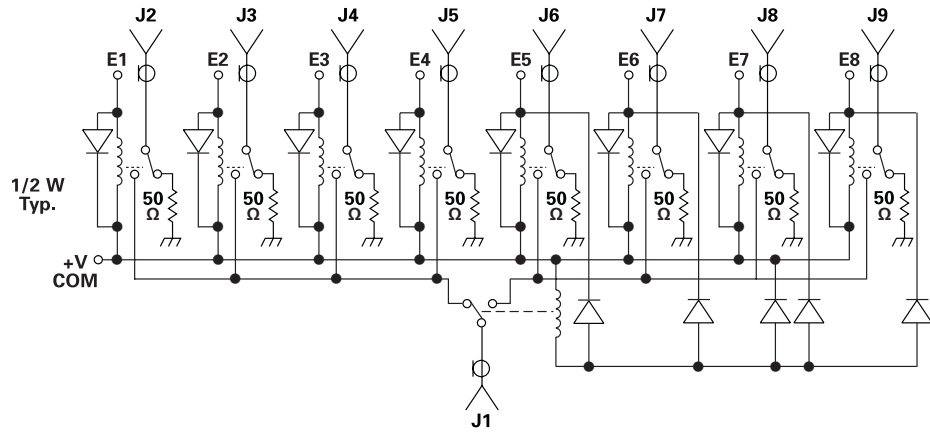
**MODEL NO.
100C1159**

SP8T RELAY

SP8T

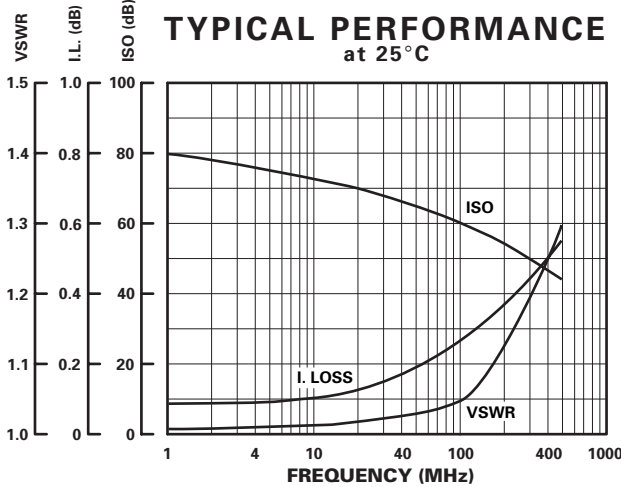


.xx = .02
.xxx = 0.10



GUARANTEED PERFORMANCE

Parameter	Min	Typ	Max	Units	Conditions
Operating Frequency	DC		200	MHz	
DC Voltage					See Table
Insertion Loss		0.4	0.5	dB	
Isolation	50	55		dB	
VSWR		1.2/1	1.25/1		
Impedance		50		OHMS	
Switching Speed			5	mSec	
RF Power			25	W	CW (Thru)
Operating Temperature	-55	+25	+85	°C	TA



Voltage	Part No.
6	100C1159 - 6
12	100C1159 - 12
18	100C1159 - 18
26	100C1159 - 26

PART NO. EXAMPLE - SEE TABLE
100C1159 - 26
 Basic Part Number | -26 for +26V Operation